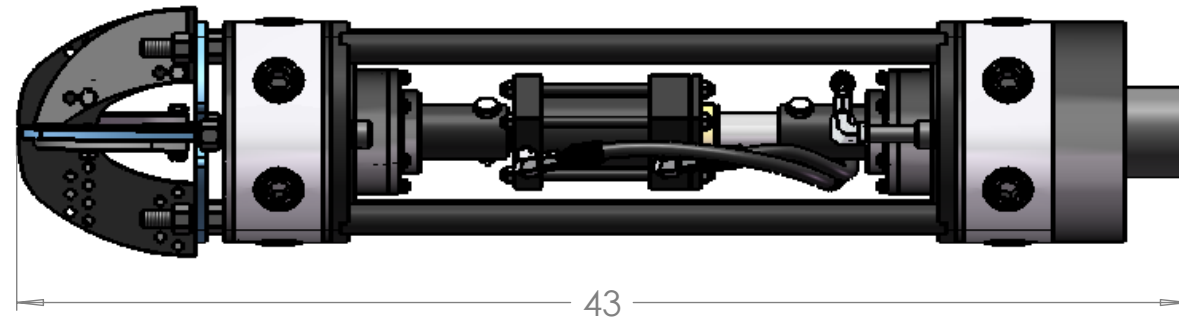
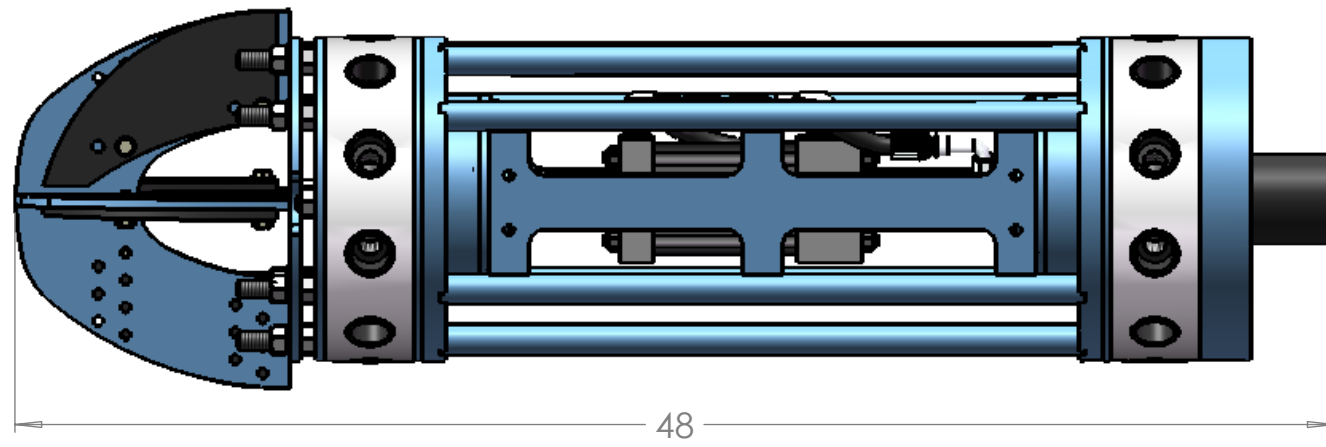


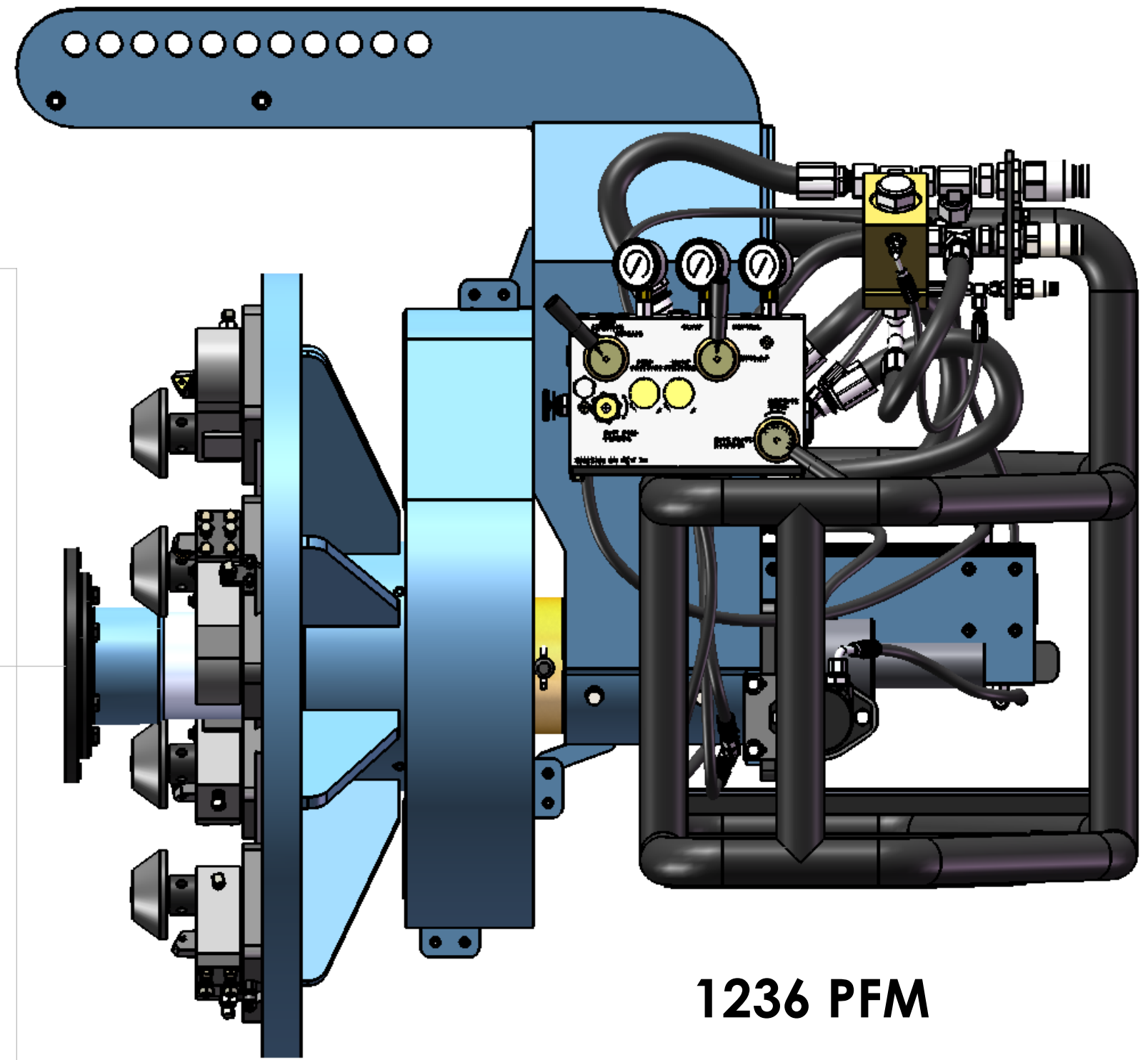
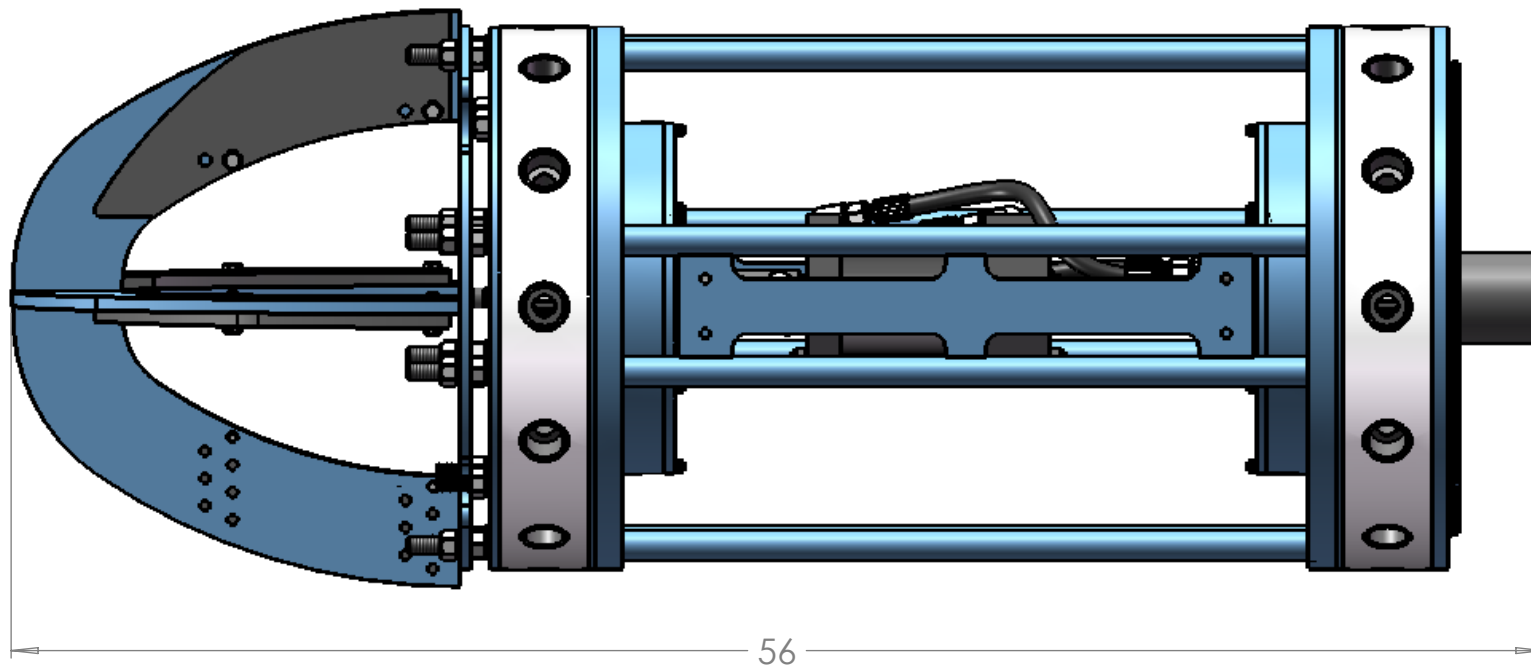
12"-18" CLAMP SECTION



16"-22" CLAMP SECTION



24"-36" CLAMP SECTION



1236 PFM