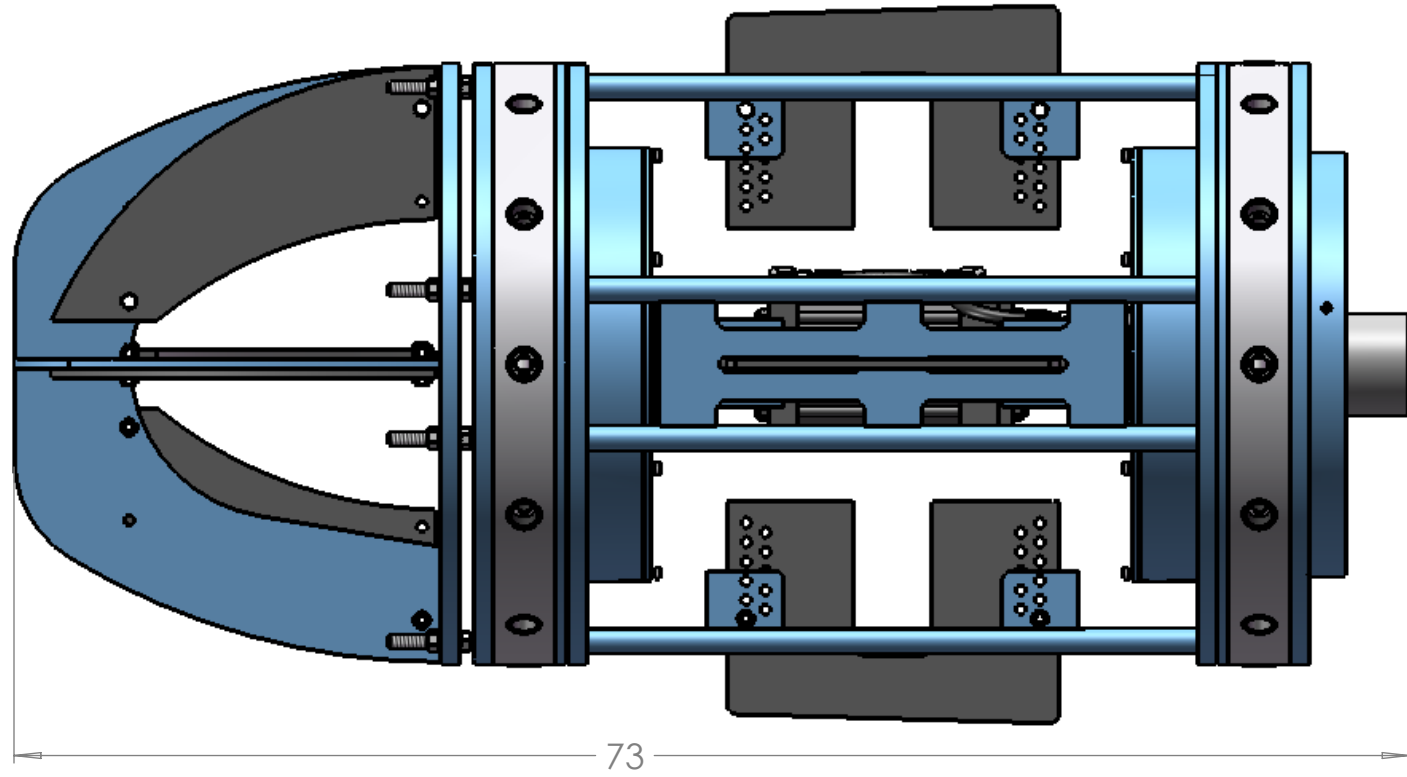
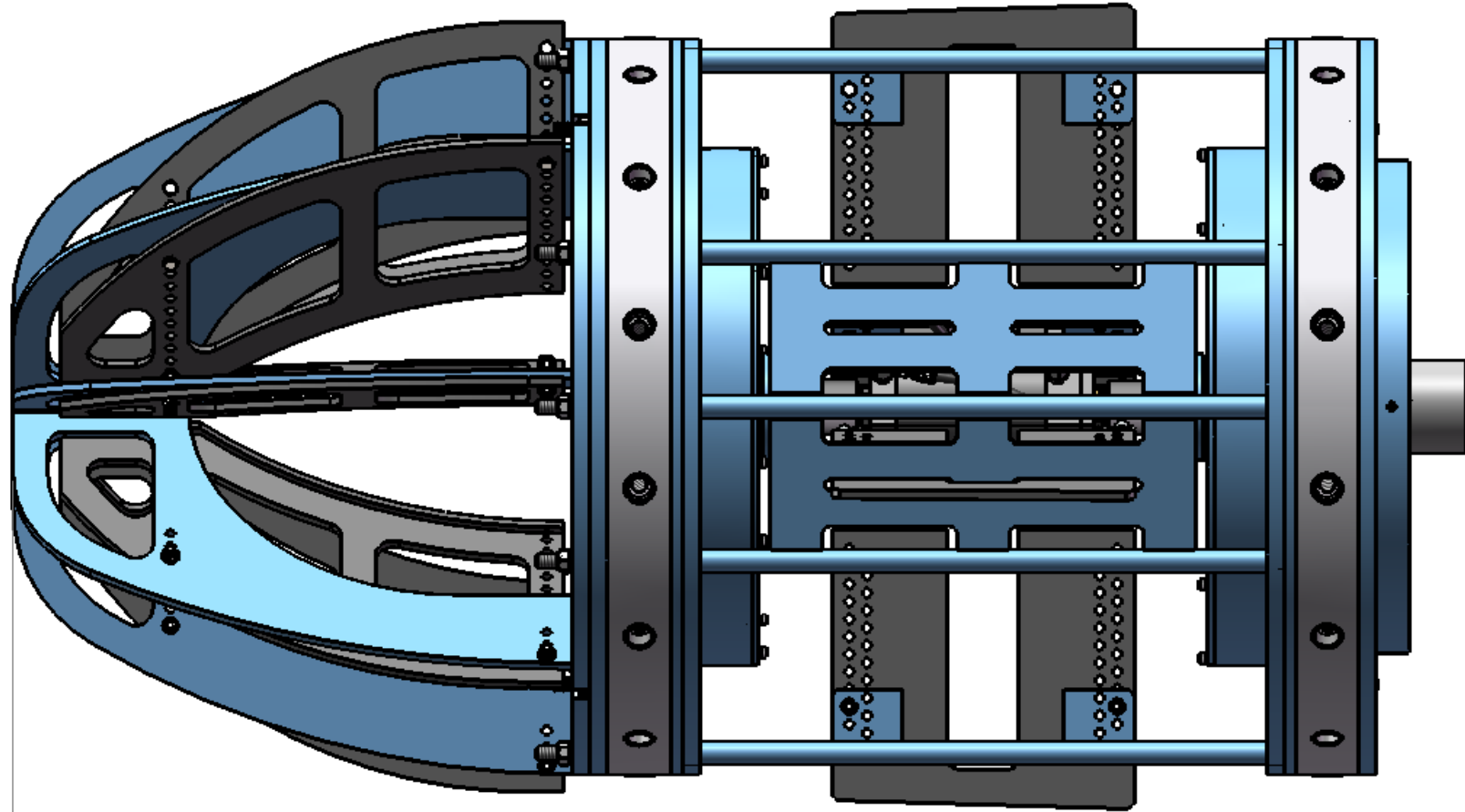


**36"-48" CLAMP SECTION**

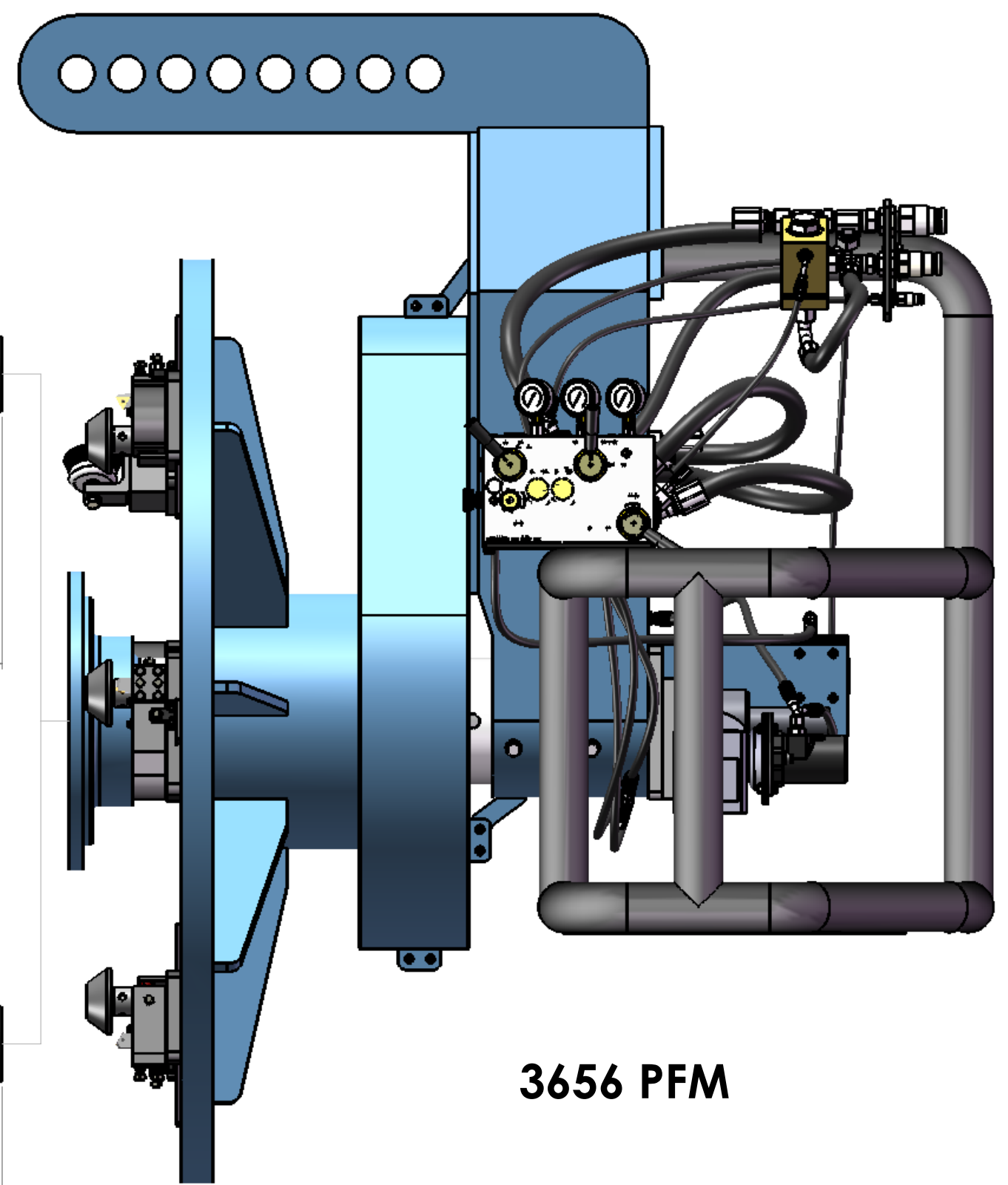


73



83

**48"-56" CLAMP SECTION**



**3656 PFM**