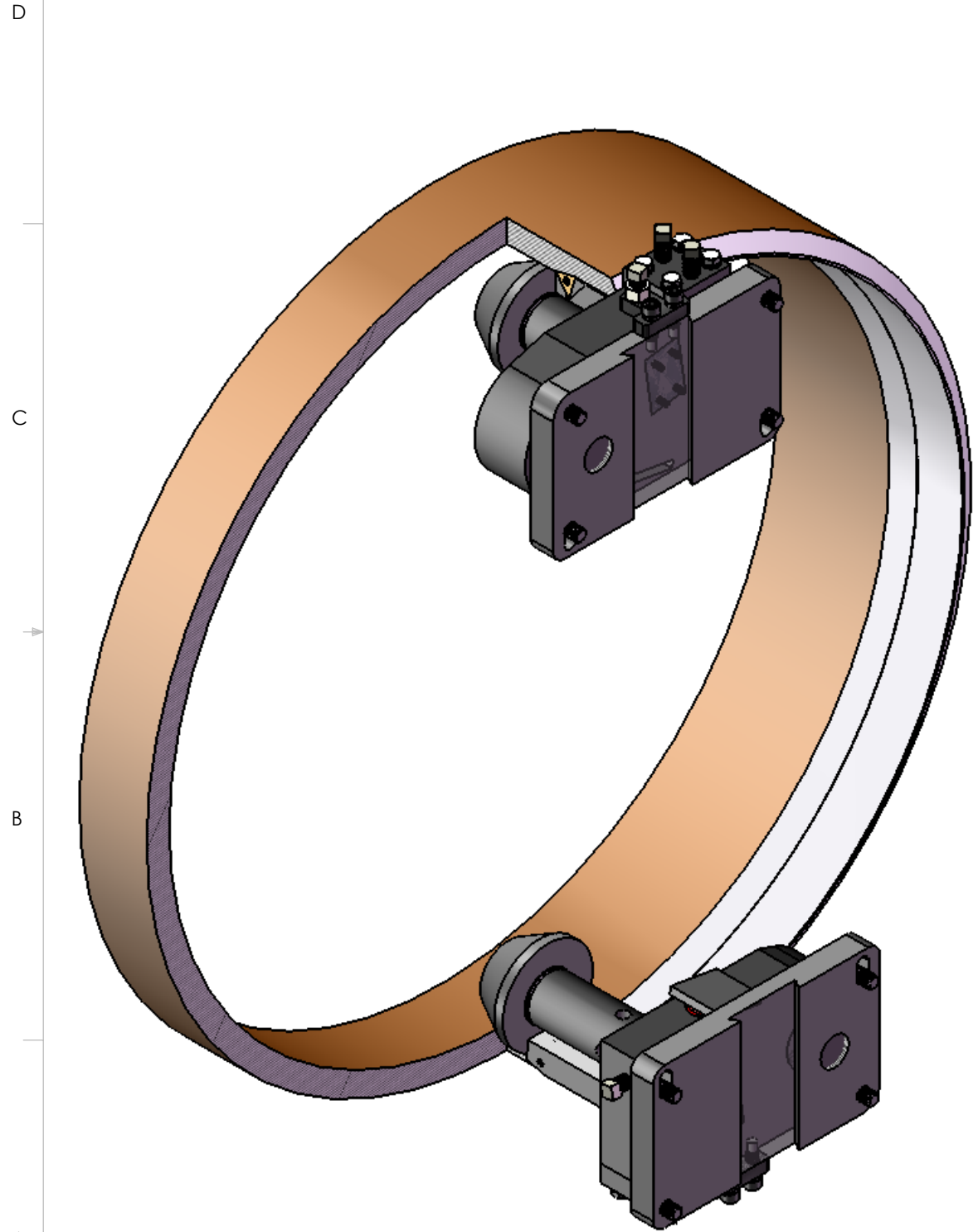
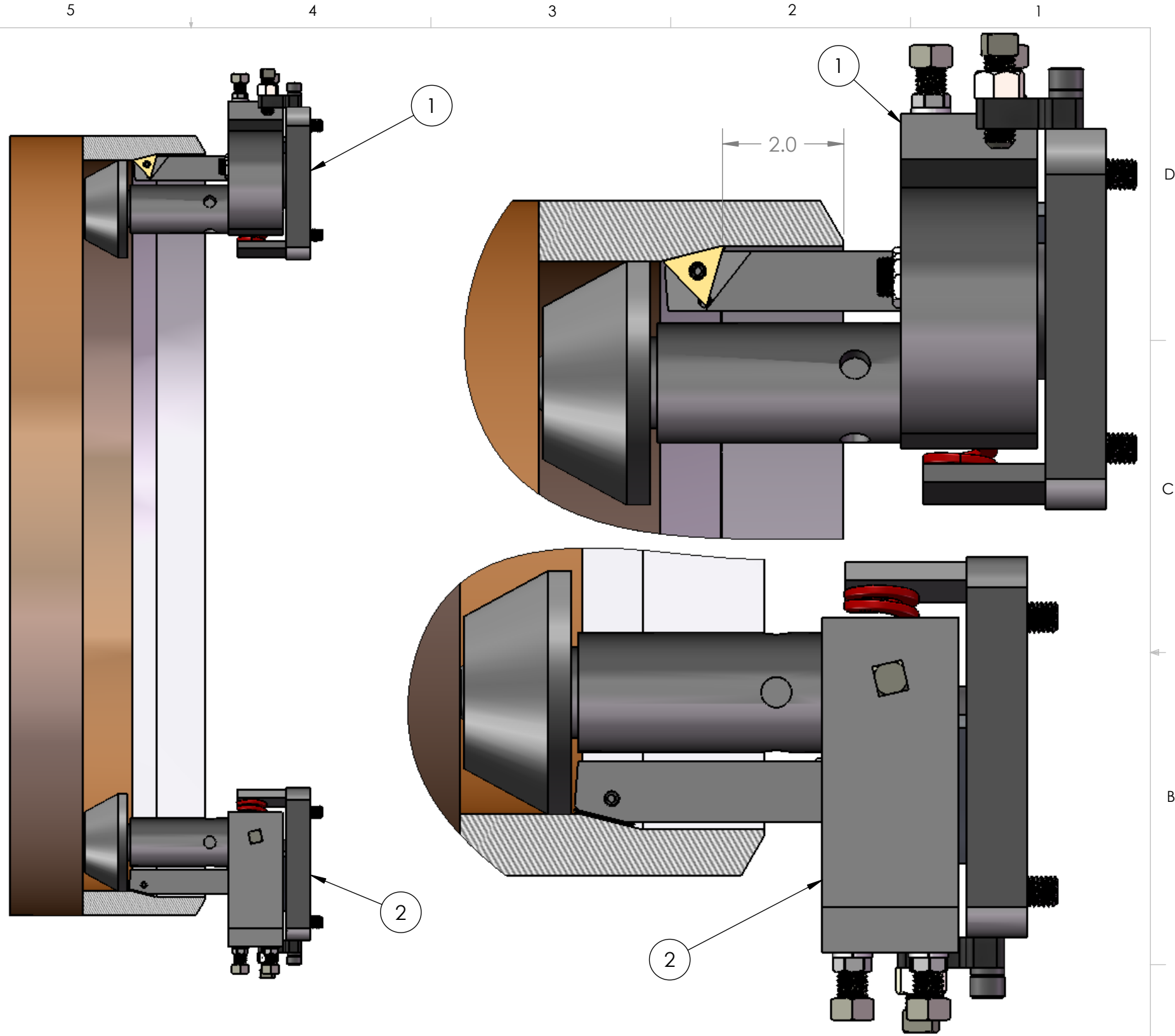


ITEM NO.	DESCRIPTION
1	FRONT VIEW RADIAL ARM 14° LEFT HAND
2	FRONT VIEW RADIAL ARM 14° LEFT HAND



**COUNTER BORE TRANSITION
14° LEFT HAND TOOL**



PROPRIETARY AND CONFIDENTIAL
THE INFORMATION CONTAINED IN THIS DRAWING IS THE SOLE PROPERTY OF DYNA-TORQUE TECHNOLOGIES INC. ANY REPRODUCTION IN PART OR AS A WHOLE WITHOUT THE WRITTEN PERMISSION OF DYNA-TORQUE TECHNOLOGIES INC IS PROHIBITED.

		UNLESS OTHERWISE SPECIFIED:		NAME	DATE	DYNA TORQUE TECHNOLOGIES INC.	
		DIMENSIONS ARE IN INCHES		DRAWN	FAV	12/12/12	TITLE: 32 X 1 WT 2" COUNTER BORE 14° LEFT HAND
		TOLERANCES:		CHECKED			
		FRACTIONAL ±		ENG APPR.			
		ANGULAR: MACH ± BEND ±		MFG APPR.			
		TWO PLACE DECIMAL ±		Q.A.			
		THREE PLACE DECIMAL ±		COMMENTS:			
		INTERPRET GEOMETRIC TOLERANCING PER:					
		MATERIAL					
		FINISH					
NEXT ASSY	USED ON						
APPLICATION		DO NOT SCALE DRAWING					
				SIZE	DWG. NO.	REV	
				B	DT-0004	B	
				SCALE:	WEIGHT:	SHEET 1 OF 1	