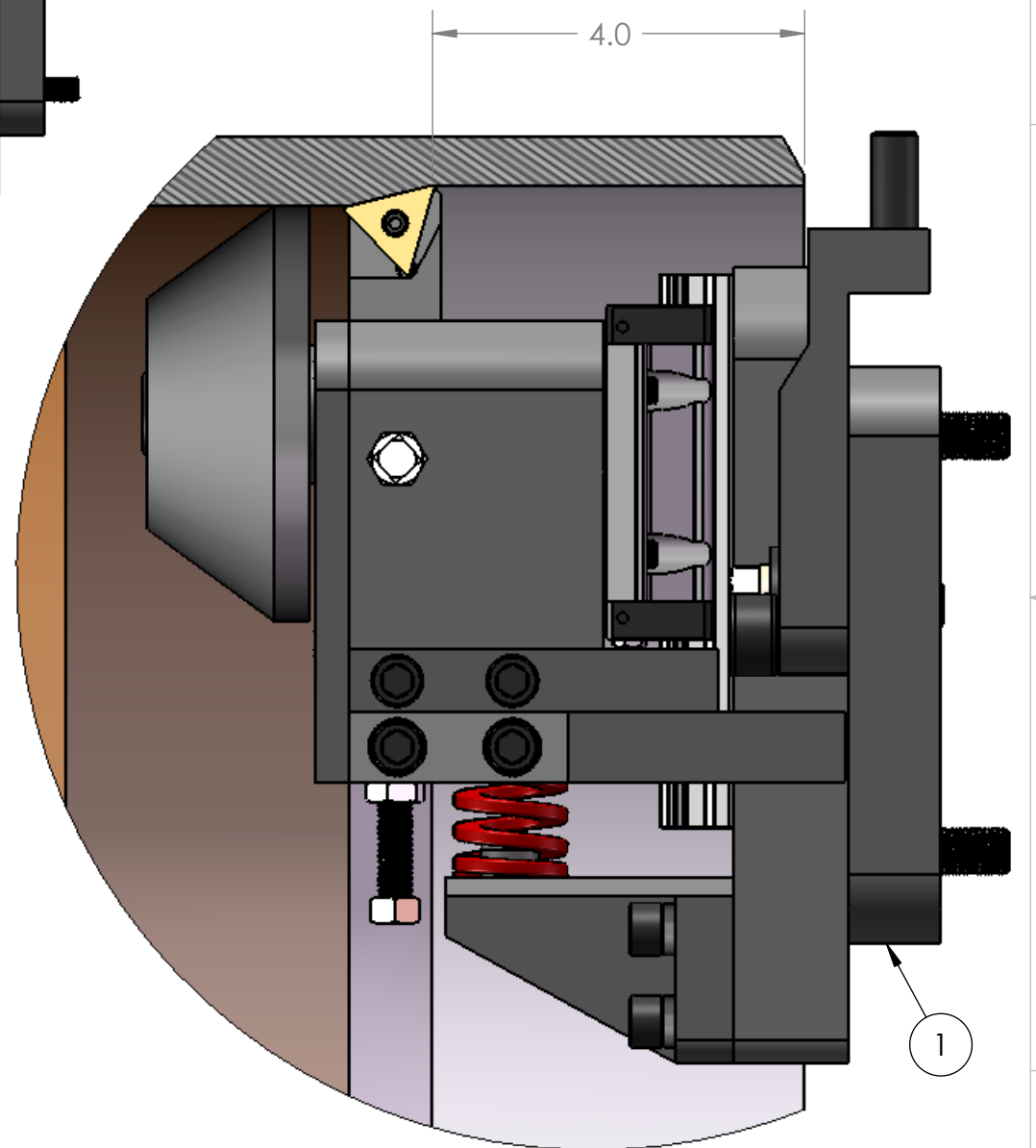
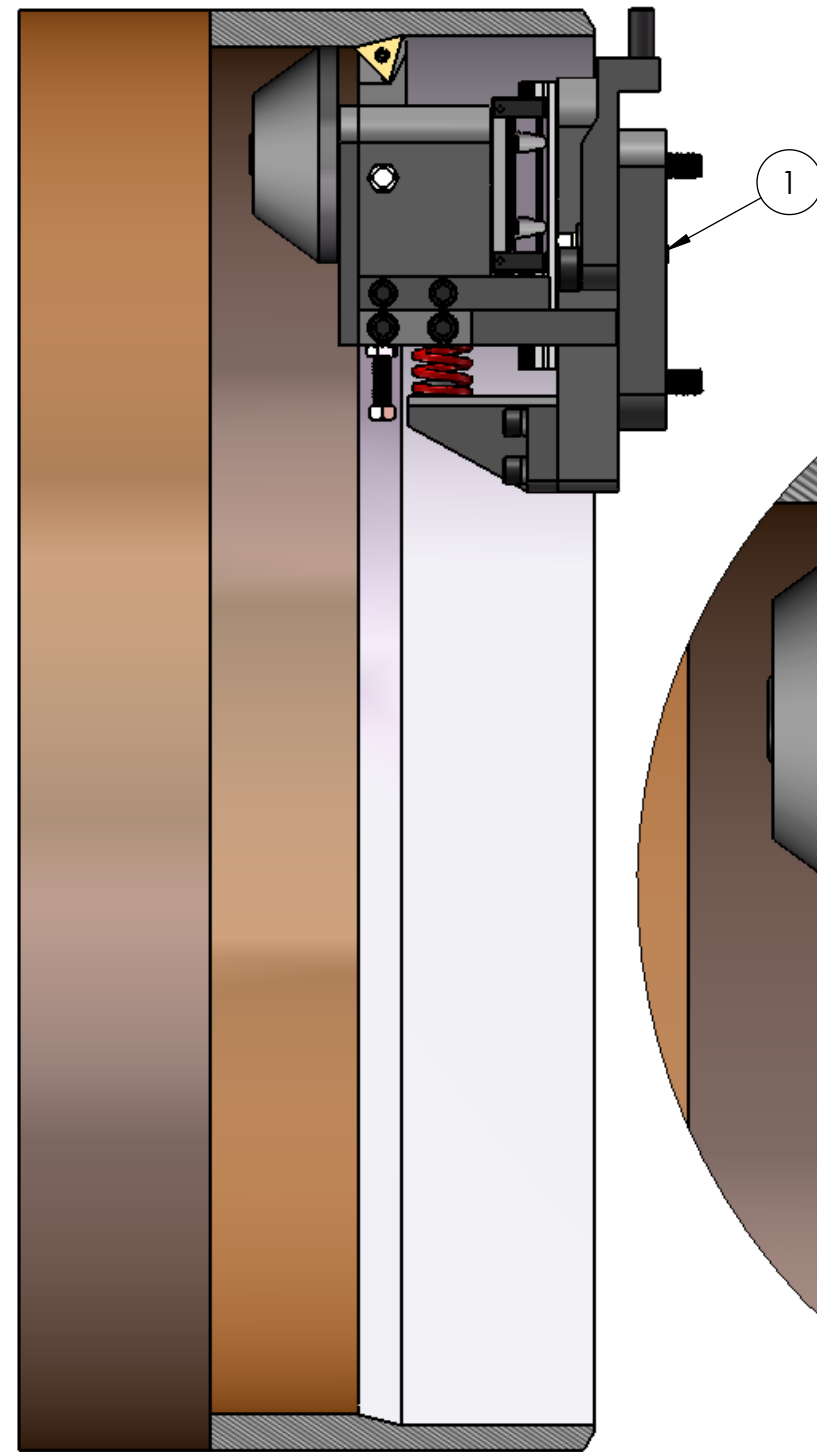
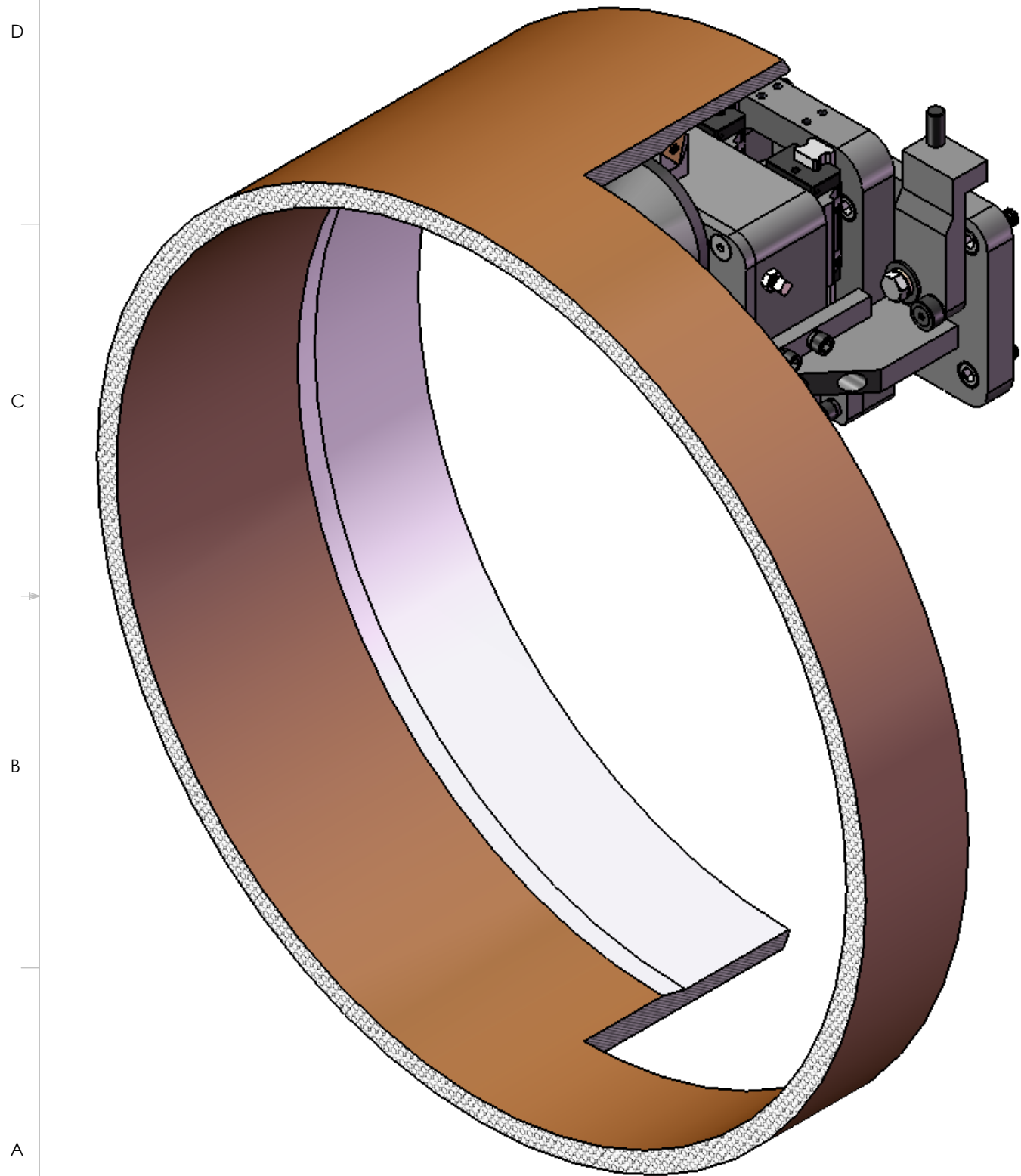


ITEM NO.	DESCRIPTION
1	FRONT VIEW COUNTER BORE



# COUNTER BORE TRANSITION 14°

**PROPRIETARY AND CONFIDENTIAL**  
 THE INFORMATION CONTAINED IN THIS DRAWING IS THE SOLE PROPERTY OF DYNA-TORQUE TECHNOLOGIES INC. ANY REPRODUCTION IN PART OR AS A WHOLE WITHOUT THE WRITTEN PERMISSION OF DYNA-TORQUE TECHNOLOGIES INC IS PROHIBITED.

		UNLESS OTHERWISE SPECIFIED:		NAME	DATE	DYNA TORQUE TECHNOLOGIES INC.		
		DIMENSIONS ARE IN INCHES		DRAWN	FAV	12/12/12	TITLE:  30 X .75 WT 14° COUNTER BORE	
		TOLERANCES:		CHECKED				
		FRACTIONAL ±		ENG APPR.				
		ANGULAR: MACH ± BEND ±		MFG APPR.				
		TWO PLACE DECIMAL ±		Q.A.				
		THREE PLACE DECIMAL ±		COMMENTS:				
		INTERPRET GEOMETRIC TOLERANCING PER:						
		MATERIAL						
		FINISH						
NEXT ASSY	USED ON					SIZE	DWG. NO.	REV
						B	DT-0003	B
APPLICATION		DO NOT SCALE DRAWING				SCALE:	WEIGHT:	SHEET 1 OF 1