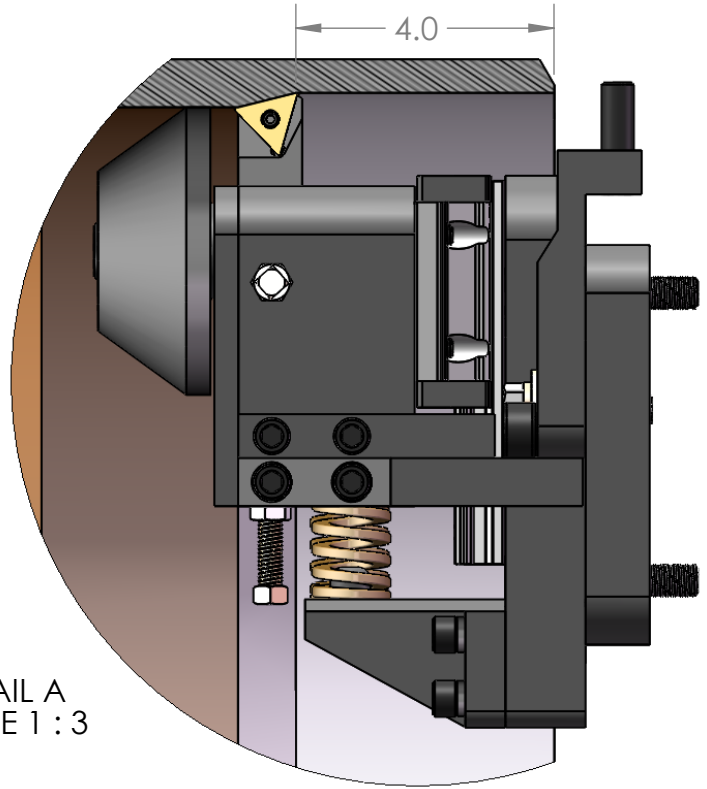
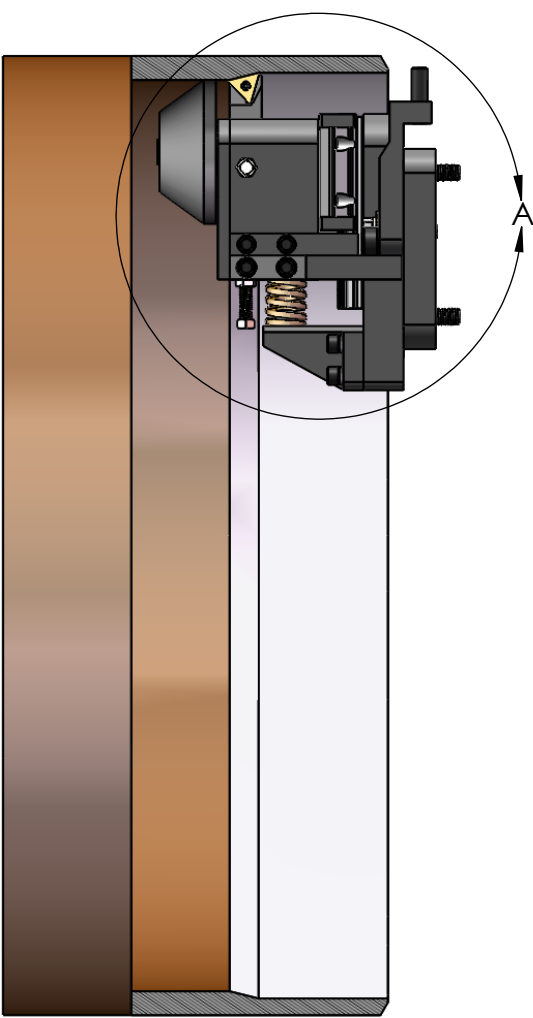
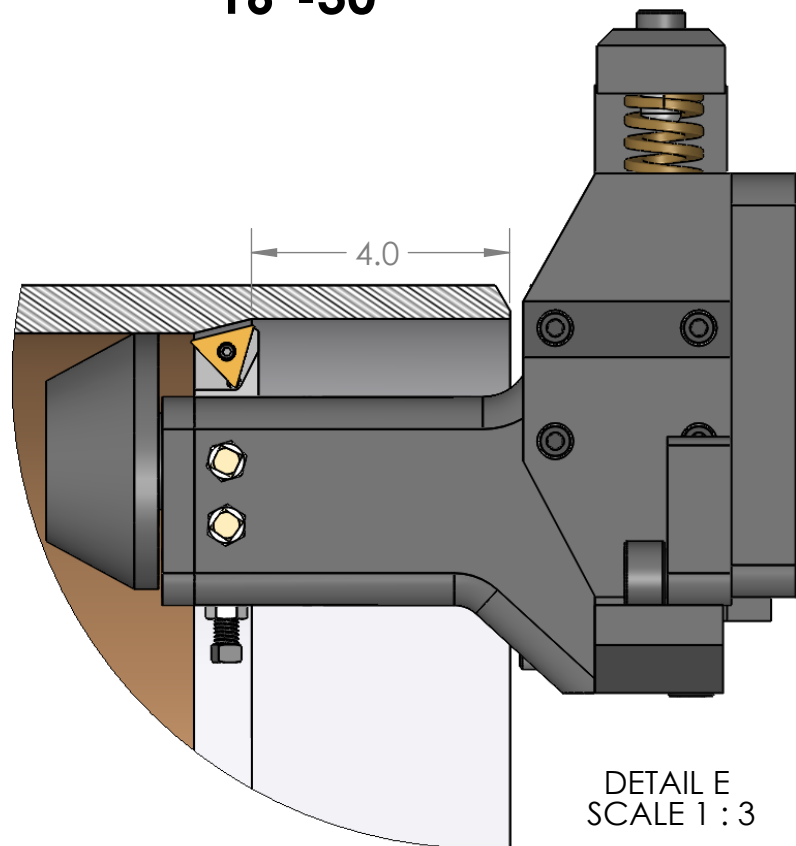
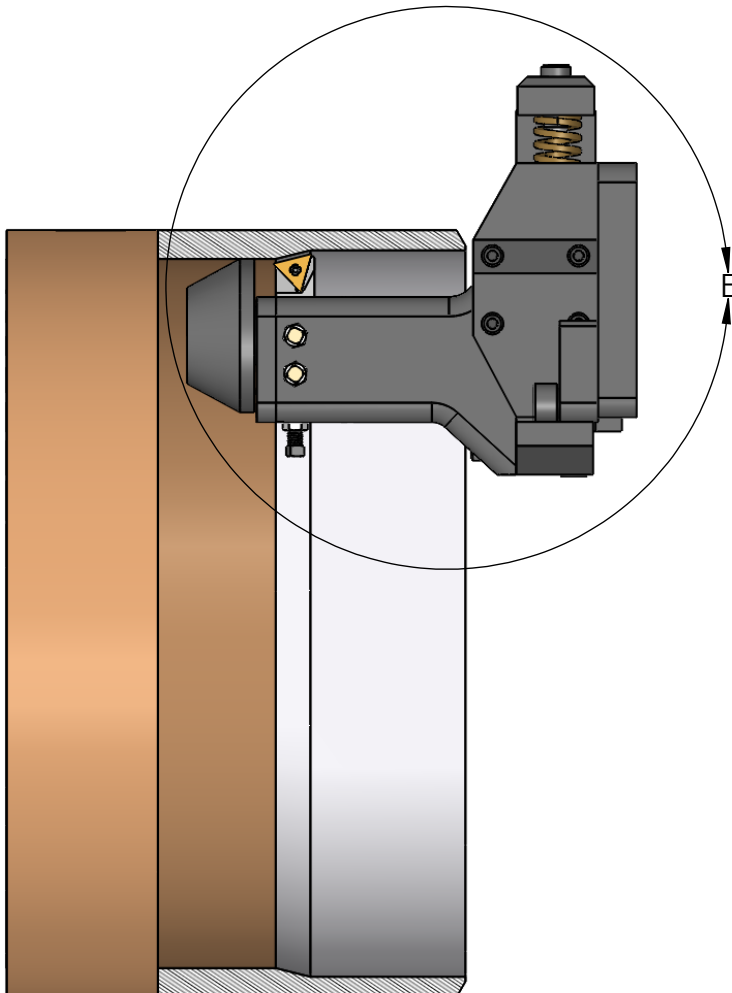


# COUNTER BORE TRANSITION 14° 30"-56"



DETAIL A  
SCALE 1 : 3

# COUNTER BORE TRANSITION 14° 16"-30"



DETAIL E  
SCALE 1 : 3