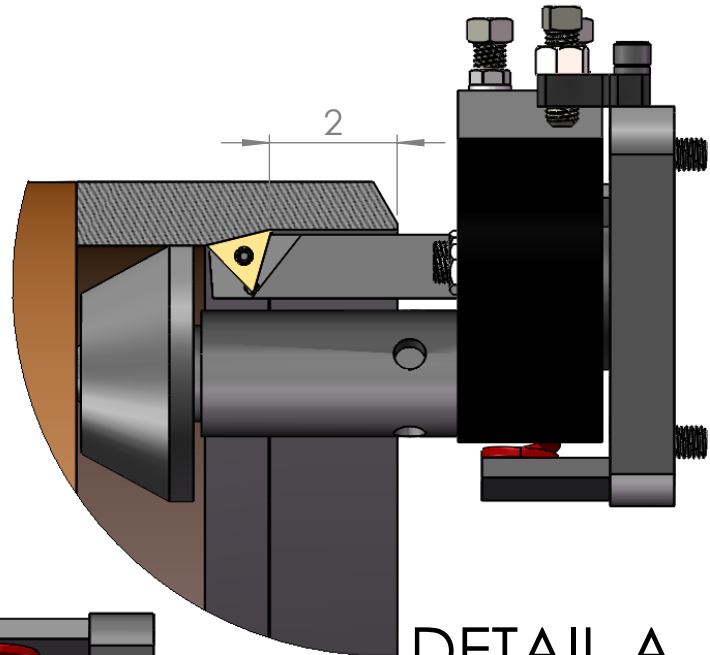
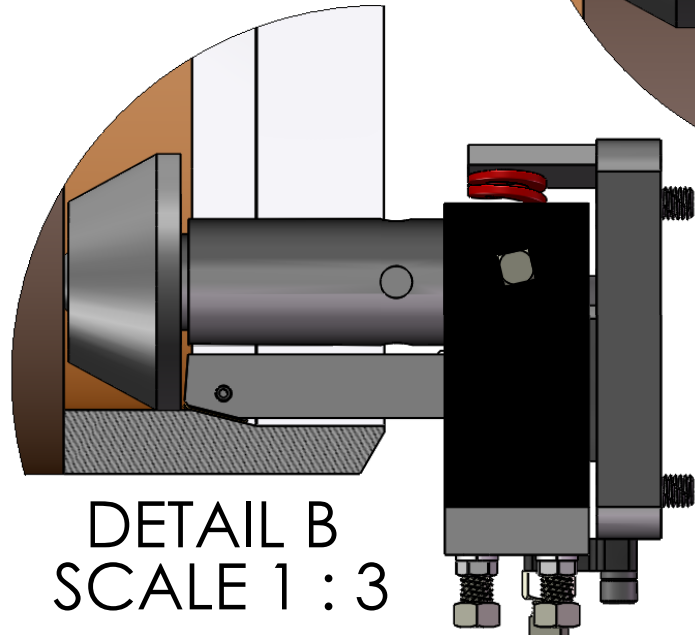


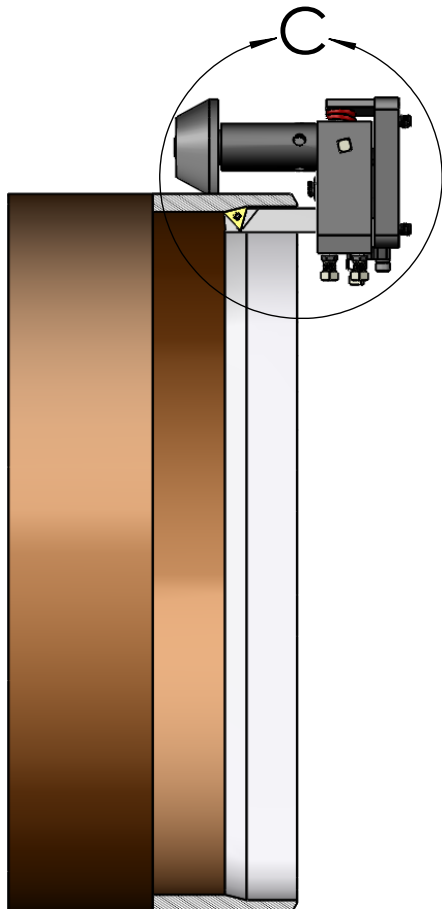
**COUNTER BORE
TRANSITION
14° LEFT HAND TOOL**



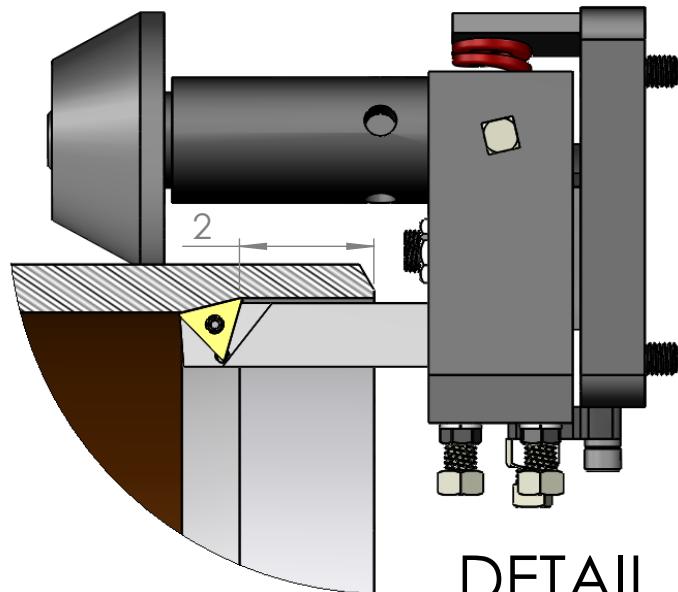
**DETAIL A
SCALE 1 : 3**



**DETAIL B
SCALE 1 : 3**



**COUNTER BORE TRANSITION
14° LEFT HAND TOOL
OUTSIDE PIPE ROLL**



**DETAIL C
SCALE 1 : 3**